

# SANSUI SR313

MANUAL 2-SPEED BELT-DRIVE TURNTABLE



Sansui has created the SR-313 for a specific kind of audiophile. Simply, this manual turntable is made for those who insist on deriving full measure from today's stereo and 4-channel disc recordings. In terms of signal-to-noise ratio, wow/flutter, resonance and tracing accuracy the SR-313 makes no compromise.

It is designed around the best belt-drive system we've ever produced. It features an S-shaped tonearm of exceptional sensitivity with advanced suspension and balance systems to practically eliminate friction. All other elements too, from motor, platter and spindle to cabinet and output cables, reflect Sansui's long audio-

only experience. The SR-313 actually outperforms many direct-drive manuals, further proof that overall craftsmanship—not just innovation—is the key to turntable quality.

\*No cartridge is provided with units sold in the U.S.A. and Canada.

*Sansui*

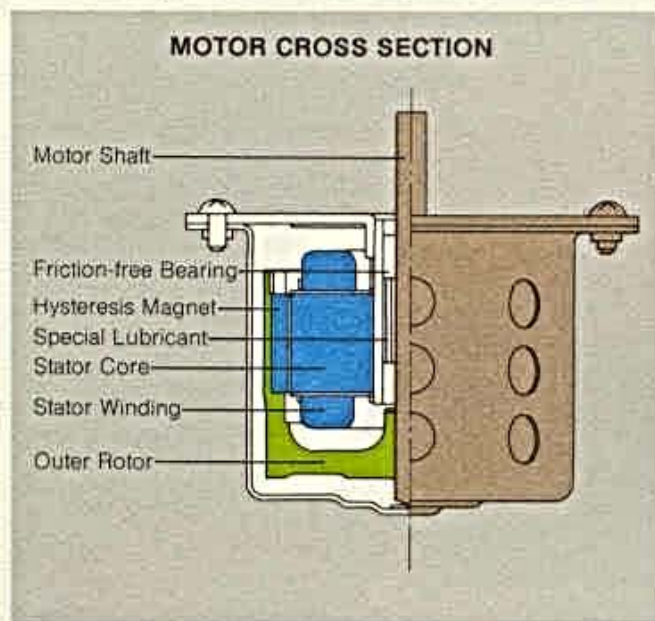


# Faithful record reproduction & top-class features

## SILENT BELT-DRIVE SYSTEM

### 4-Pole Synchronous Motor

Because the 4-pole synchronous outer-rotor motor of the SR-313 is not affected by fluctuations in AC line voltage or platter load, you never need make speed adjustments. Precision parts are used throughout to provide long years of reliable service.



### Precision Center Spindle

The center spindle is precision-machined and encased in a rugged housing using self-lubricating metal and teflon bearings for a minimum of wow and flutter, improved signal-to-noise ratio and prolonged life.

### Polyurethane Drive Belt

A super-fine polyurethane belt of high dimensional accuracy, uniform thickness (0.5mm) and excellent aging characteristics is responsible for accurate platter rotation with minimum wow/flutter. It is precision-finished and unaffected by long use or changes in atmosphere.



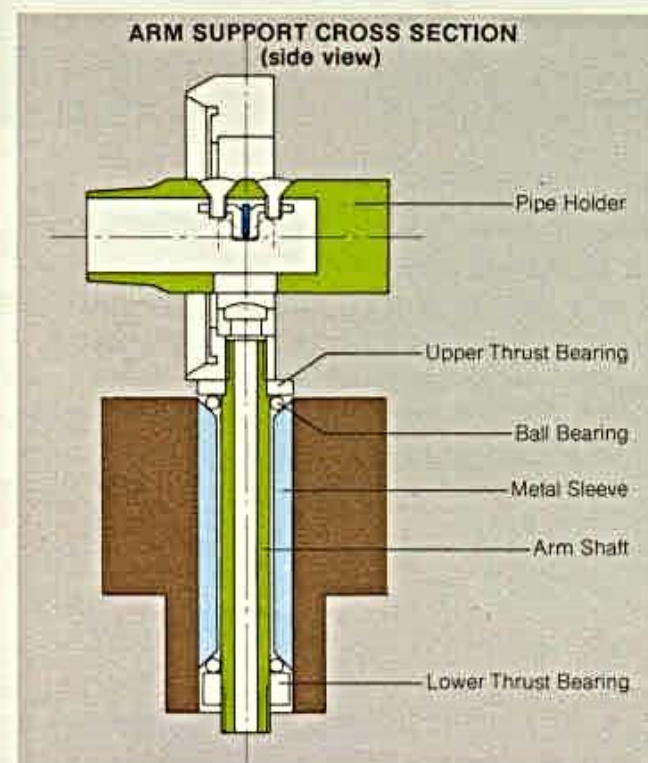
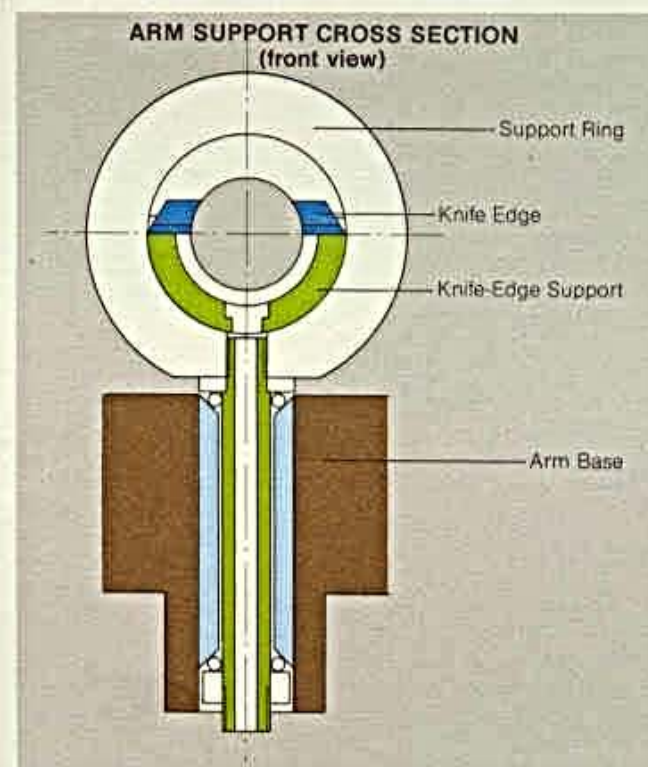
## SENSITIVE TONEARM

### S-Shaped Tonearm

Sansui has selected a special S-shaped tonearm of high sensitivity. It is statically balanced, damped for extremely low resonance and suitable for tracing even the most complex undulations of the record groove perfectly.

### Unique Knife-Edge Suspension

The sensitivity of the tonearm in the SR-313 is five times that of conventional tonearms. This is due largely to the low-friction support system employed—a knife-edge support for the vertical plane with precision-polished miniature bearings used for horizontal motion of the tonearm.



## Reduced Tracing Distortion

A lateral balancer for correct left/right balance, a specially-constructed skating-force canceler to prolong record and stylus wear, and the friction-free characteristics of the support system contribute to the reduction of tracing distortion.

## Simple Manual Operation

No mechanical linkages inhibit error-free manual operation. The risk of damage to the tonearm, stylus and your records is minimized by using the oil-damped cueing lever to lower the tonearm gently to the part of the record you wish to play.

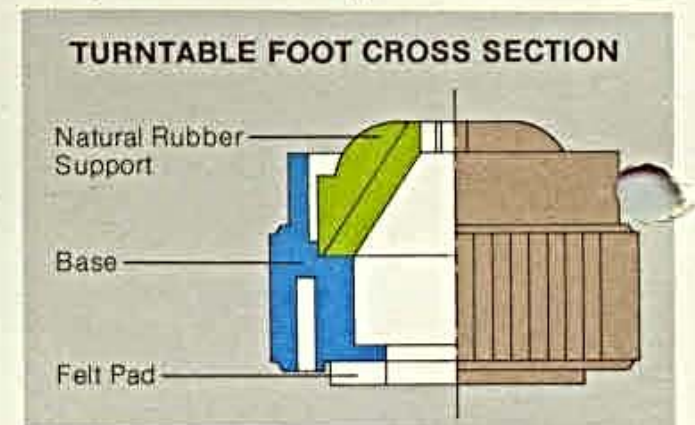
## RESONANCE-FREE CABINET

### Solid All-Wood Construction

The handsome cabinet of the SR-313 is free of acoustic feedback ("howling") since it uses high-density 15-mm thick laminate of selected wood fiber and minimizes the hollow or "dead" spaces in interior cavity. It is beautifully finished in natural Andes Rosewood.

### Effective Insulation

Further reducing the chance of cabinet-related distortion is the advanced effective-suspension/insulation system. Large hemispherical insulators and thick rubber platter mat contribute to reduce the resonance which could otherwise be caused by internal or external vibration. The result is unmuddy, always clean record reproduction.



### Dust Cover and Low-Capacitance Cables

A free-stop dust cover of smoked plastic is provided, designed to remain in place when lifted. Also included is a low-capacitance (40pF/m) output cable so that all signals from any record, including the ultrasonic carrier frequencies used in some types of 4-channel discs, can be conveyed to your amplifier or receiver without measurable attenuation. A 45 rpm Adaptor is included for convenience.





- 1 SPEED SELECTOR (33 $\frac{1}{3}$ rpm and 45rpm)
- 2 CENTER SPINDLE
- 3 PLATTER
- 4 RESONANCE-FREE CABINET
- 5 DETACHABLE FREE-STOP HINGE

- 6 DIRECT READOUT BALANCE WEIGHT
- 7 LATERAL BALANCER
- 8 KNIFE-EDGE SUPPORT
- 9 INSIDE-FORCE CANCELER
- 10 ARM LIFTER BAR

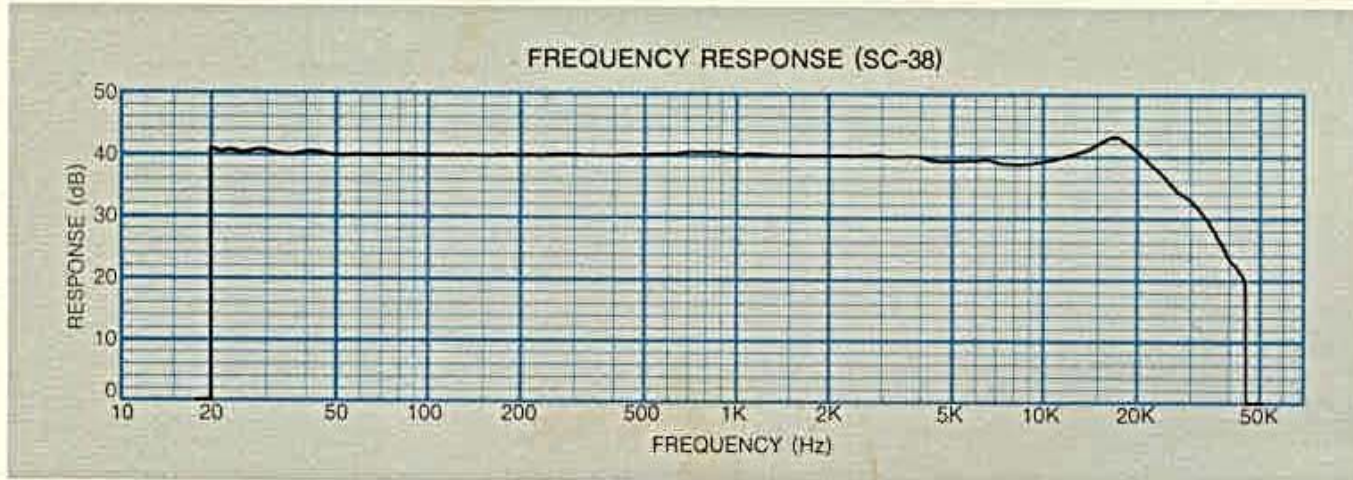
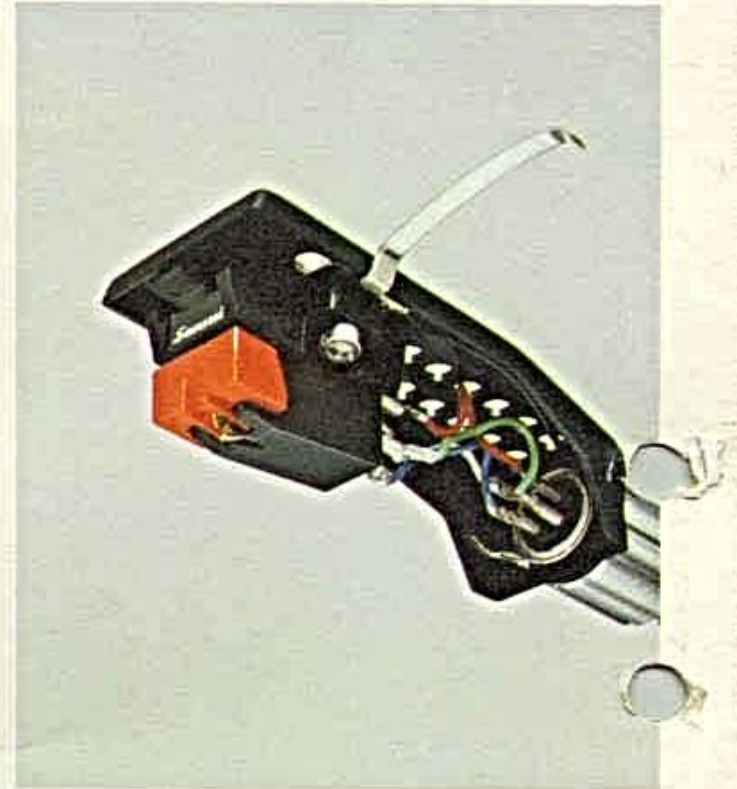
- 11 S-SHAPED TUBULAR ARM
- 12 HEAD SHELL and IM CARTRIDGE
- 13 CUEING LEVER



## HIGH-PERFORMANCE IM CARTRIDGE

Adopting the induced magnet design for reducing the mass of its moving parts, the magnetic circuit of the SC-38 cartridge in

the SR-313 is free from saturation and hysteresis distortion. You hear nothing but the clean, clear sounds of all recorded information as they should sound. (No cartridge is provided with units sold in the U.S.A. and Canada.)



## SPECIFICATIONS

<p><b>TYPE</b> Two-speed, belt-driven</p> <p><b>SPEEDS</b> 33<math>\frac{1}{3}</math>, 45rpm</p> <p><b>PLATTER</b> Aluminum alloy die cast diameter 300mm (12")</p> <p><b>MOTOR</b> Four-pole synchronous</p> <p><b>WOW &amp; FLUTTER</b> Less than 0.06% (W.R.M.S)</p> <p><b>SIGNAL TO NOISE RATIO</b> Better than 50dB</p> <p><b>TONARM</b> Statically-balanced S-shaped tubular tonearm with anti-skating device, direct readout stylus pressure dial, 4-contact plug-in head, lateral balancer</p> <p><b>TONARM LENGTH</b> 220mm (8<math>\frac{1}{8}</math>" ) pivot to stylus tip</p> <p><b>OVERHANG</b> 17.5mm (<math>\frac{1}{2}</math>" )</p> <p><b>SUITABLE CARTRIDGE WEIGHT</b> 4-11grams</p> <p><b>CARTRIDGE</b> (For the SR-313 sold outside U.S.A. and Canada only)</p> <p><b>SC-38 (induced magnet type)</b></p>	<p><b>FREQUENCY RESPONSE</b> 20-20,000Hz <math>\pm</math>3dB</p> <p><b>CHANNEL SEPARATION</b> more than 17dB at 1,000Hz</p> <p><b>OUTPUT BALANCE</b> within 2.0dB at 1,000Hz</p> <p><b>STYLUS COMPLIANCE</b> 6<math>\times</math>10<sup>-6</sup> cm/dyne (at 100Hz Dynamic) 25<math>\times</math>10<sup>-6</sup> cm/dyne (at 1,000Hz Static)</p> <p><b>OUTPUT VOLTAGE</b> 3.0mV per channel (at 1,000Hz 50mm/sec. Lateral)</p> <p><b>LOAD IMPEDANCE</b> 47k<math>\Omega</math></p> <p><b>TRACKING FORCE</b> 1.5-2.0grams</p> <p><b>STYLUS</b> 0.5mil, diamond spherical (SN-38)</p> <p><b>POWER REQUIREMENTS</b> 120/240V (Usable 110~130/220~250V) 50/60Hz 120V (Usable 110~130V), 60Hz (For U.S.A. and Canada only)</p>	<p><b>POWER CONSUMPTION</b> 10watts (rated)</p> <p><b>DIMENSIONS</b> 464mm (18<math>\frac{1}{4}</math>" ) W 380mm (15" ) D 185mm (7<math>\frac{1}{4}</math>" ) H</p> <p><b>WEIGHT</b> 9.7 kg (21.4 lbs) Net 11.5 kg (25.4 lbs) Packed</p> <p><b>ACCESSORY MECHANISMS</b> Inside-force canceler Direct-reading stylus pressure scale 4-contact plug-in head</p> <p><b>ACCESSORIES</b> 45rpm record spindle adaptor, removable dust cover with automatic hinges (and motor pulley for 50Hz or 60Hz)</p>
--	---	---

Design and specifications subject to change without notice for improvements.